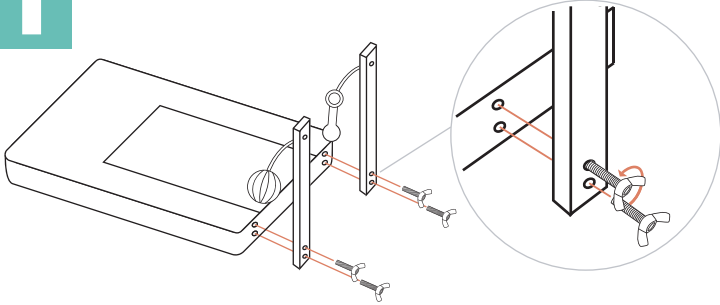


YOUR QUICK AND EASY DOG SCRATCH BOARD PLAY INSTRUCTIONS

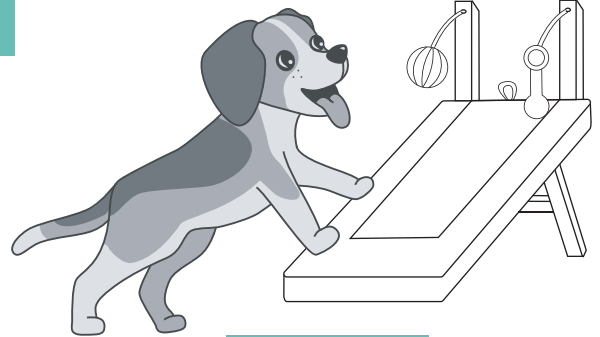
1



With or without toys

Secure both toy bars with two screws each adjusting the rope's height for added challenge for your dog

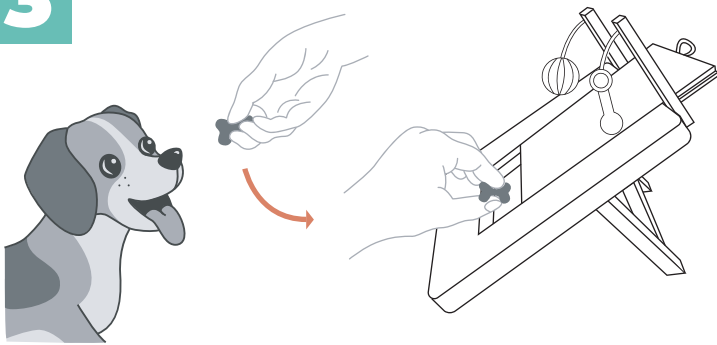
2



Introduction

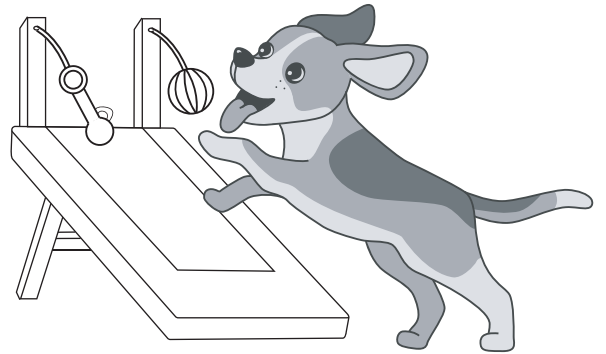
Extend the rear legs or lay the board flat to introduce your dog to the scratch board. Keep in mind, it's a journey of learning!

3



Capture your dog's attention by displaying the treat, then place it inside the scratch board's drawer and shut it

4

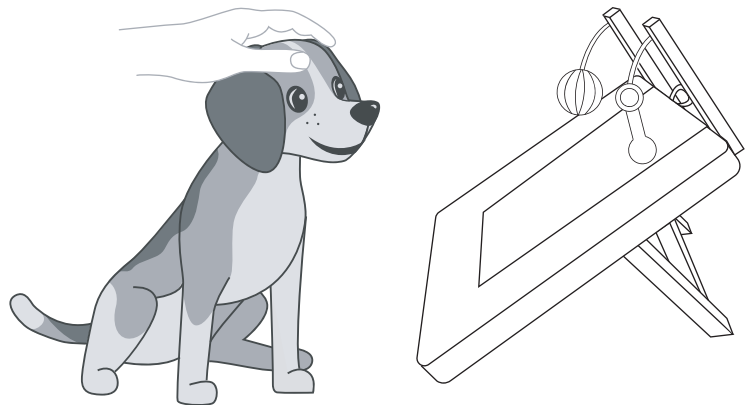


Boost scratching activity and enjoyment by employing toys to engage the dog's interest

5

Ta-Da !

You're all set to embark on a pawsome adventure with your furry buddy!



Treat your dog for every board scratch by opening the drawer until they consistently engage with the scratch board